

imp003 [Type 1CD]

Highly integrated Internet-of-Things node with 2.4GHz WiFi

Key Features

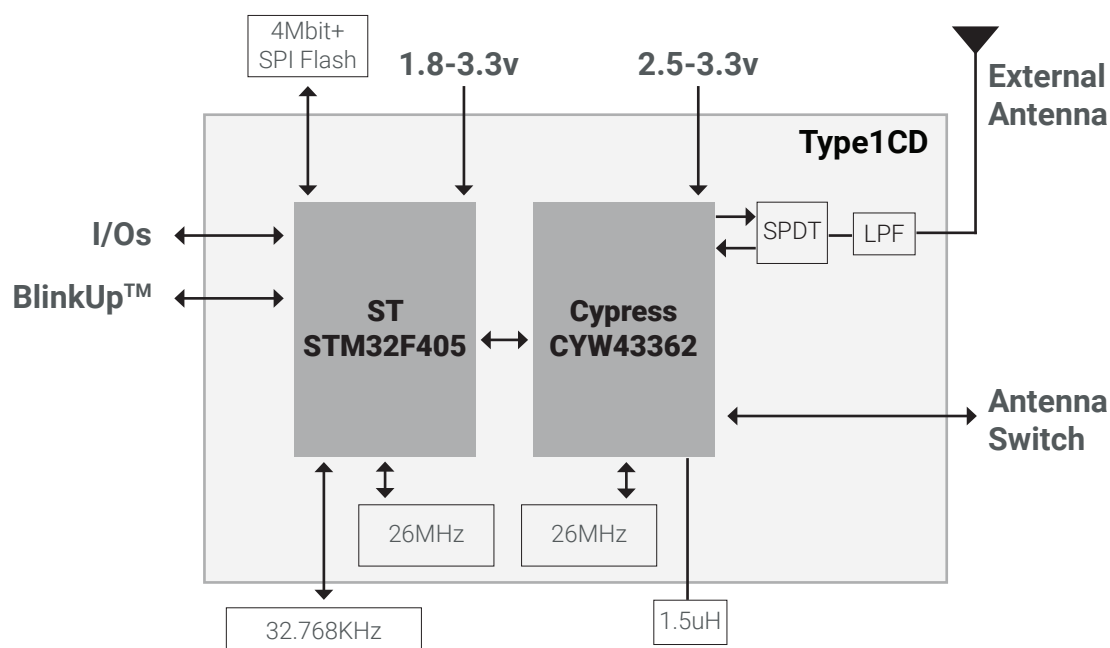
- 802.11 b/g/n WiFi (2.4GHz, 20MHz channels)
- Integrated LPF and crystal
- External antenna switch controls
- FCC/IC modular approval
- CE tested with reports available
- 144MHz ARM Cortex M4F processor
- Over 130kB RAM for application use
- 256kB application code storage
- Secure boot
- On-board RTC (32kHz xtal required)
- 2xAA/AAA operation mode option
- Low power sleep modes
- BlinkUp™ easy setup
- 23x GPIO, soft configurable to support:
 - 2x SPI, 5x UART, 2x I2C, 7x PWM, 2x DAC, 10x ADC
- All interfaces fully supported at OS level
- 10.0 x 7.9mm LGA package, 76 pins
- Works in conjunction with impCloud™ platform:
 - Secure, managed internet connection
 - State of the art EDH forward secrecy
 - Secure, failsafe OTA OS upgrades
 - Secure, failsafe OTA application updates
 - Cloud-side companion Virtual Machine (VM)
- In mass production

imp003

Murata model number Type 1CD



electric imp



contact us at sales@electricimp.com

electricimp.com
(650) 383-7143

5150 El Camino Real Ste. C31
los altos, ca 94022